



## Digital Meters Loop and Line Powered

### DESCRIPTION

---

A selection of digital meters is available as additional indication for any of Magnetrol's electronic transmitters. These meters are manufactured by a leading meter supplier and are a valuable accessory to the local indication already standard on many of our transmitters, or as indication on a blind transmitter.

### FEATURES

---

- Choice of two and four wire models
- ½" DIN, NEMA 4X and explosion proof enclosures
- Panel and pipe mounting kits available
- FM, CSA, UL and CENELEC approvals available
- Only one volt drop across loop-powered models
- 3½, 4 or 6 digit display
- Line-powered models available with the following options:
  - Totalizer
  - On-board power supplies
  - Up to four relays
  - Pump alternation
  - Programmable root functions for flumes and weirs
  - 11 point calibration
  - Square root extraction



### FOR USE WITH

---

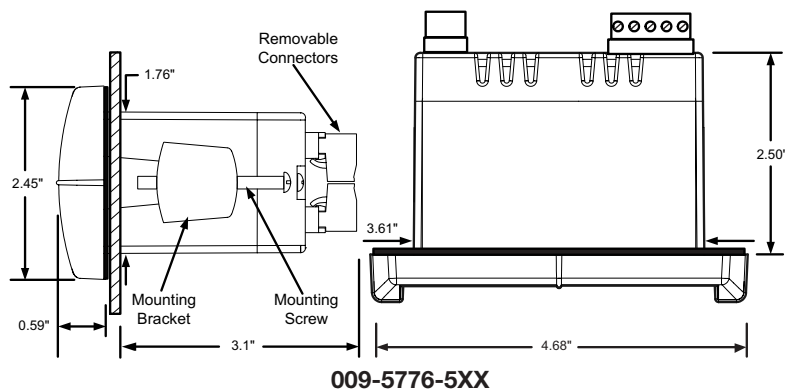
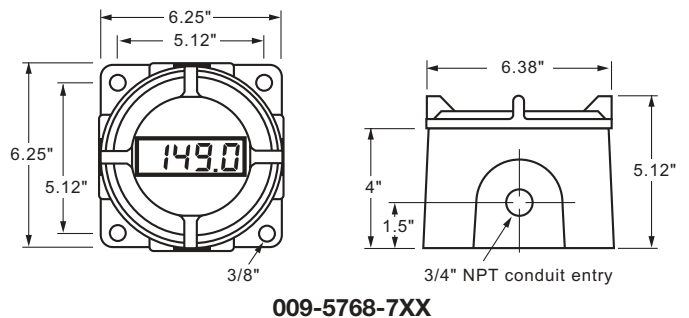
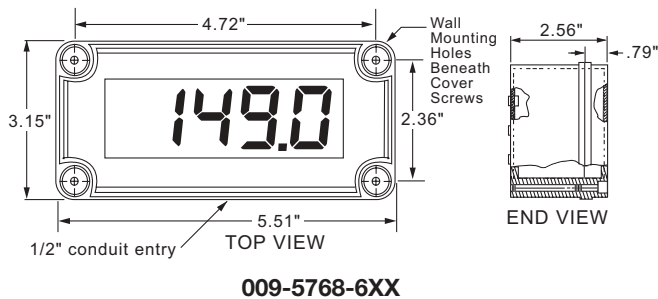
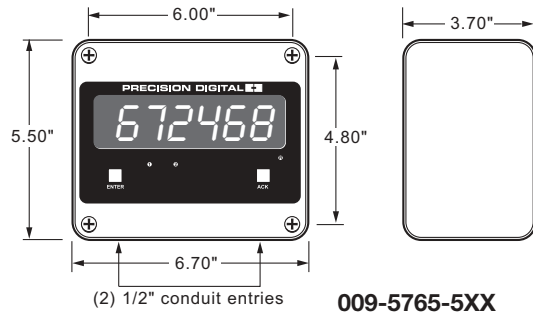
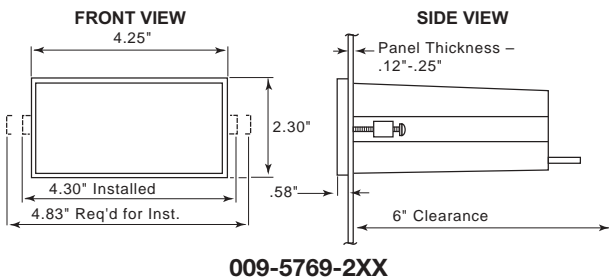
- Eclipse® Guided Wave Radar Transmitter
- TA1 Thermal Mass Flow Transmitter
- Models 335, 344/345, 3P1, 300/301, 352, 350/351 Non-contact Ultrasonic Level Transmitters
- Model 82, 804, 805, 801 RF Capacitance Level Transmitters
- EZ and ES II Modulelevel Displacer Transmitters

# DIGITAL METER FEATURES

	009-5765-5XX*	009-5768-6XX	009-5768-7XX	009-5769-2XX*	009-5776-5XX
Line/Loop	Line	Loop	Loop	Line	Line
Display	6 digits, 1"	3.5 digits, 1"	3.5 digits, 1"	6 digits, 0.56"	4 digits, 0.56"
Enclosure Material	Glass Filled Polycarbonate	Glass Filled Polycarbonate	Cast Aluminum	Plastic 1/8" DIN	Plastic 1/8" DIN
Enclosure Rating	NEMA 4X	NEMA 4X	Explosion Proof	NEMA 4X Panel	NEMA 4X Panel
Power	115/230 Vac, 24 Vdc	24 Vdc	24 Vdc	115,230 Vac, 24 Vdc	85-265 Vac/90-265 Vdc 12-36 Vdc
Operating Temp. Range	-20° to +65° C	-40° to +85° C	-40° to +80° C	0° to +60° C	0° to +65° C
UL/CUL Approvals	None	None	None	Yes	None
FM/CSA Approvals	None	Class I, II, III, Div 1 Gps A,B,C,D,E,F,G NEMA 4X/Type 4X	Cl. I Div 1, Gps C,D Cl. II Div 1, Gps E,F,G Cl. III	None	None
CENELEC Approvals	None	None	EEx d IIB + H2 T6	None	None
Mounting	Wall	Wall	Wall	Panel	Panel
Maximum Input Loop Resistance	100 Ω	50 Ω	50 Ω	100 Ω	50 Ω
Isolated 24 Vdc P.S. Max. Loop Resistance	1200 Ω	N/A	N/A	1200 Ω	N/A
Isolated 24 Vdc P.S.	Yes, 2	N/A	N/A	Yes, 1	N/A

\* Models 09-5765-5XX and 09-5769-2XX include the following features: totalizer, 2 or 4 SPDT relays with adjustable deadband rated for 2 amps at 250 Vac, alternate rate/total display, pump alternation, 4-20 mA retransmit, 11 point calibration, programmable root functions for weirs & flumes, square root extraction, priority batch programming, lock-out and fail-safe.

## DIMENSIONAL DRAWINGS



# DIGITAL METER MODEL NUMBER

## METER TYPE

6 5 5	Line powered NEMA 4X
6 8 6	Loop powered NEMA 4X 24 Vdc only
6 8 7	Loop powered XP 24 Vdc only
6 9 2	Line powered 1/2 DIN
7 6 5	Line powered 1/2 DIN

## SUPPLY VOLTAGE

0	115 Vac	655, 692 & 765 only
1	230 Vac	692 only
2	24 Vdc	655, 686, 687, 692, 765

Model 09-5765-50X is suitable for 115 or 230 Vac supply voltage

Model 09-5776-52X is suitable for 12-36 Vdc supply voltage

Model 09-5776-50X is suitable for 85-265 Vac or 90-265 Vdc supply voltage

## OUTPUT/OPTIONS

1	Indication only	
2	2 relays	655 & 692 only
3	4-20 mA retransmit	655 & 692 only
4	2 relays and 4-20 mA retransmit	655 & 692 only
5	4 relays	655 & 692 only
6	4 relays and 4-20 mA retransmit	655 & 692 only

## MOUNTING KITS

<b>036-3817-001</b>	Panel mounting kit for Model 655
<b>036-3817-002</b>	2" pipe mounting kit for Model 655
<b>036-3817-003</b>	Panel mounting kit for Model 686
<b>036-3817-004</b>	2" pipe mounting kit for Models 686 & 687



# MODEL NUMBER CROSS-REFERENCE

Magnetrol Model	Precision Digital Model	Magnetrol Model	Precision Digital Model	Magnetrol Model	Precision Digital Model
009-5765-501	PD655-N	009-5768-721	PD687-EX	009-5769-211	PD692-4-N
009-5765-502	PD655-44	009-5769-221	PD692-2-N	009-5769-212	PD692-4-14
009-5765-503	PD655-45	009-5769-222	PD692-2-14	009-5769-213	PD692-4-15
009-5765-504	PD655-46	009-5769-223	PD692-2-15	009-5769-214	PD692-4-16
009-5765-505	PD655-47	009-5769-224	PD692-2-16	009-5769-215	PD692-4-17
009-5765-506	PD655-48	009-5769-225	PD692-2-17	009-5769-216	PD692-4-18
009-5765-521	PD655-2-N	009-5769-226	PD692-2-18	009-5776-501	PD765-6RO
009-5765-522	PD655-2-44	009-5769-201	PD692-3-N	009-5776-521	PD765-6RO-1
009-5765-523	PD655-2-45	009-5769-202	PD692-3-14	036-3817-001	PDA6554
009-5765-524	PD655-2-46	009-5769-203	PD692-3-15	036-3817-002	PDA6545
009-5765-525	PD655-2-47	009-5769-204	PD692-3-16	036-3817-003	PDA6844
009-5765-526	PD655-2-48	009-5769-205	PD692-3-17	036-3817-004	PDA6845
009-5768-621	PD686	009-5769-206	PD692-3-18		

## QUALITY

---



The quality assurance system in place at Magnetrol guarantees the highest level of quality throughout the company. Magnetrol is committed to providing full customer satisfaction both in quality products and quality service.

Magnetrol's corporate quality assurance system is registered to ISO 9001 affirming its commitment to known international quality standards providing the strongest assurance of product/service quality available.

## WARRANTY

---



All Magnetrol electronic level and flow controls are warranted free of defects in materials or workmanship for one full year from the date of original factory shipment.

If returned within the warranty period; and, upon factory inspection of the control, the cause of the claim is determined to be covered under the warranty; then, Magnetrol will repair

or replace the control at no cost to the purchaser (or owner) other than transportation.

Magnetrol shall not be liable for misapplication, labor claims, direct or consequential damage or expense arising from the installation or use of equipment. There are no other warranties expressed or implied, except special written warranties covering some Magnetrol products.

**Important Note:** The digital meters described in this bulletin are manufactured by Precision Digital and marketed and sold on a non-exclusive basis by Magnetrol International. Standard Precision Digital terms relative to warranty, shipment and ISO 9001 registration apply.



5300 Belmont Road • Downers Grove, Illinois 60515-4499 • 630-969-4000 • Fax 630-969-9489 • [www.magnetrol.com](http://www.magnetrol.com)  
145 Jardin Drive, Units 1 & 2 • Concord, Ontario Canada L4K 1X7 • 905-738-9600 • Fax 905-738-1306  
Heikenstraat 6 • B 9240 Zele, Belgium • 052 45.11.11 • Telex 25944 • Fax 052 45.09.93  
Regent Business Ctr., Jubilee Rd. • Burgess Hill, Sussex RH15 9TL U.K. • 01444-871313 • Fax 01444-871317

Copyright © 2003 Magnetrol International, Incorporated. All rights reserved. Printed in the USA.  
Magnetrol and Magnetrol logotype are registered trademarks of Magnetrol International.

Performance specifications are effective with date of issue and are subject to change without notice.  
The brand and product names contained within this document are trademarks or registered trademarks of their respective holders.

**BULLETIN: 41-104.1**  
**EFFECTIVE: May 2003**  
**SUPERSEDES: October 2001**