

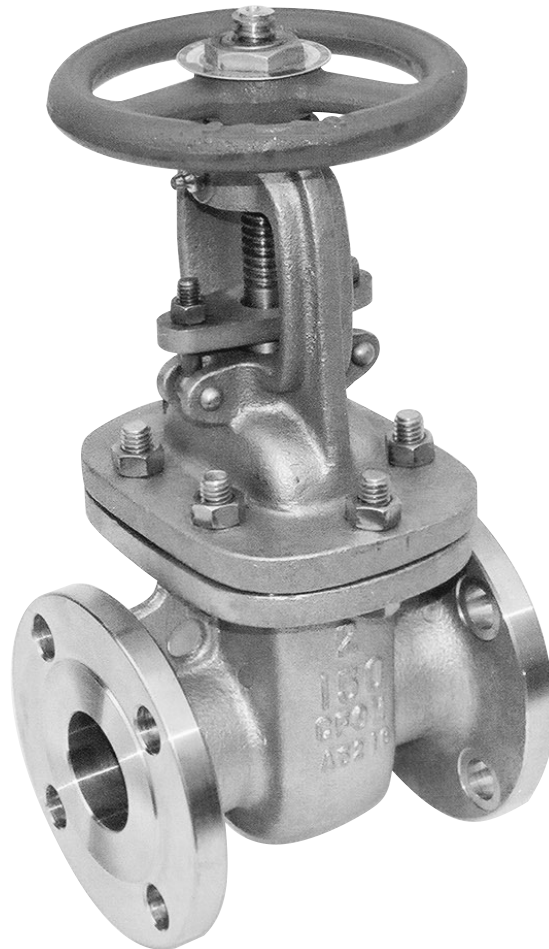


*Alloy Valves and Control*



*Alloy Valves and Control*

## GATE VALVE 1116



**Size:**

1/2" - 12" Full Port

**End Connections:**

Flange-150#

**Valve Materials:**

316 Stainless Steel

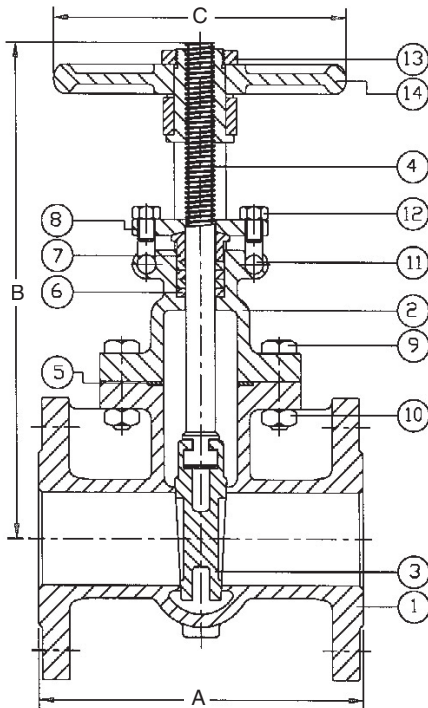
**Seat Materials:**

Metal

**Service Applications:**

Hydraulic  
Steam  
Oxygen  
Vacuum  
Thermal Fluids  
Chemical  
Oil/ Gas  
Food Processing  
Dry/ Liquid Chlorine

## Alloy Valves and Control



	Parts	Material
1	Body	316 SS
2	Bonnet	316 SS
3	Disc	316 SS
4	Stem	316 SS
5	Gasket	TFE
6	Packing	TFE
7	Packing Flange	316 SS
8	Gland Flange	316 SS
9	Bonnet Bolt	SS
10	Bonnet Stud	SS
11	Gland Stud	SS
12	Gland Nut	SS
13	Wheel Nut	SS
14	Hand Wheel	Cast Iron

\*PTFE gasket & packing limited to 500 deg. f max temperature

SIZE (Inches)	1/2"	3/4"	1"	1-1/4"	1-1/2"	2"	2-1/2"	3"	4"	6"	8"	10"	12"
<b>A</b>	4.50	4.62	5.00	5.50	6.50	7.00	7.50	8.00	9.00	10.50	11.50	13.00	14.00
<b>B</b>	7.40	7.48	9.05	10.25	13.00	15.00	15.50	17.25	21.00	26.00	36.00	42.00	49.00
<b>C</b>	3.94	3.94	4.72	5.30	8.00	8.00	8.00	10.00	10.00	12.00	14.00	18.00	20.00
<b>Weight (Lbs)</b>	5	6	10	15	19	28	39	48	75	126	212	290	433

### Comparison Guide

Manufacturer	Crane/aloyco	Powell	Stockham	Ladish	Pacific	OIC
Figure No.	127	2456	15-OZRF316	8275	S-500RF6	S151

### HOW TO ORDER

2"	1	1	1	6
Size	Series	Pressure Rating	End Connection	Body Material
1/2" 3/4" 1" 1-1/4" 1-1/2" 2" 2-1/2" 3" 4" 6" 8" 10" 12"	1-Gate Valve	1-150	1-Flanged	6-316 SS

Distributed by:

Copyright © 2003 Alloy Valves and Control, Inc. All rights reserved. No part of this brochure may be used or reproduced in any manner whatsoever without written permission of AVCO.

This brochure is general in nature and manufacturer reserves the right to alter dimensions, materials or make design improvements

3087 S. Harbor Blvd, Santa Ana, CA 92704 Tel (714) 427-0877 Fax (714) 427-6392 Web-site: [www.avcovalve.com](http://www.avcovalve.com)