



*Alloy Valves and Control*

# CHECK VALVE 3116



**Size:**  
1/2" - 10"

**End Connections:**  
Flange-150#

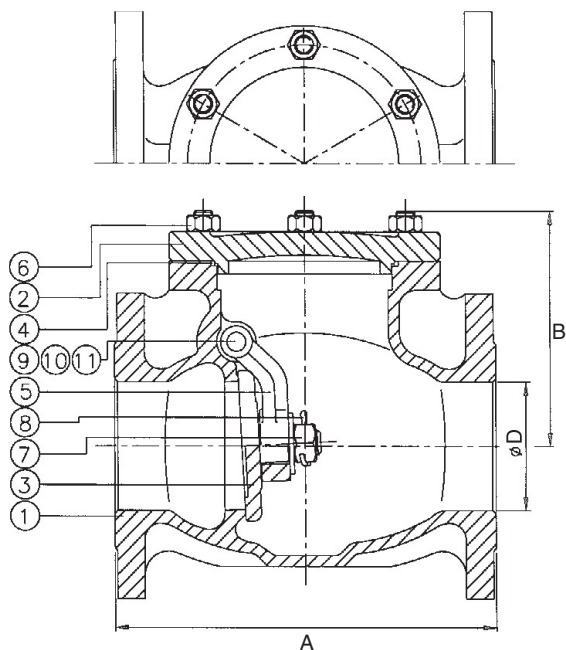
**Valve Materials:**  
316 Stainless Steel

**Disc and Cap:**  
316 Stainless Steel

**Seat Materials**  
Metal

**Options:**  
TFE  
UHMWPE  
PCTFE

**Service Applications:**  
Hydraulic  
Steam  
Oxygen  
Vacuum  
Thermal Fluids  
Chemical  
Oil/ Gas  
Food Processing  
Dry/ Liquid Chlorine



### Features

- Check Valve-150#
- Bolted Cap
- Swing Type Disc
- Metal Seat
- 316 SS

Standards compliance.  
 Face to face dimensions: ANSI B 16.10  
 End flange dimensions: ANSI B 16.5  
 Shell wall thickness: ANSI B 16.34

Item	Parts	Material
1	Body	316 SS
2	Cap	316 SS
3	Disc Nut	316 SS
4	Gasket	TFE
5	Arm	316 SS
6	Cover Stud	SS
7	Nut	SS
8	Split Pin	316 SS
9	Hinge Pin	316 SS
10	Plug Gasket	TFE
11	Plug	316 SS

Size	1"	1-1/2"	2"	2-1/2"	3"	4"	6"	8"	10"
A	5.00	6.50	8.00	8.50	9.50	11.50	14.00	19.50	24.50
B	3.93	4.60	5.31	5.98	6.18	7.75	9.60	11.37	12.72
D	0.98	1.57	1.96	2.56	3.15	3.94	5.91	7.87	9.84
Weight (Lbs)	9	16	28	39	46	75	130	225	305

### Comparison Guide

Manufacturer	Crane/Alloy	Powell	Stockham	Ladish	Pacific	OIC
Figure No.	337	2342 & 2633	15-SRF3316	5272	S-1100F6	S153

### HOW TO ORDER

3"	3	1	1	6
Size	Series	Pressure Rating	End Connection	Body Material
1" 1-1/2" 2" 2-1/2" 3" 4" 6" 8" 10"	3-CheckValve	1-150 psi	1-Flanged	6-316 SS

Distributed by: