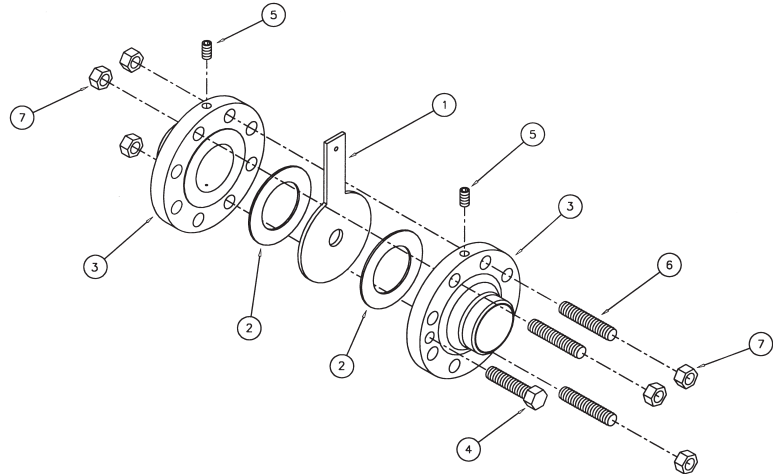
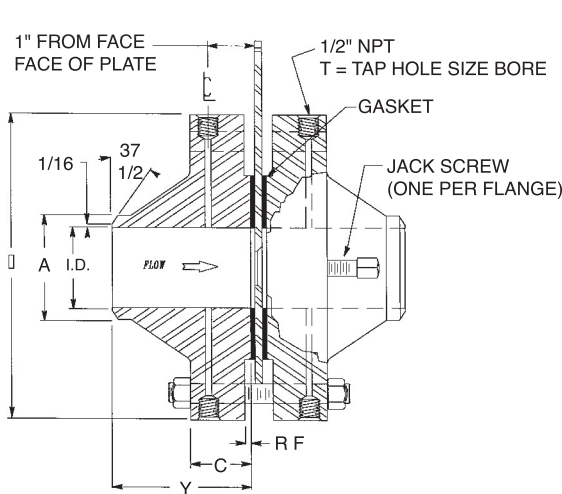


Alloy Valves and Control

ORIFICE FLANGE SET

RAISED FACE WELD NECK



300# ANSI RATING

	Diam. Internal Line Bore and Tolerance	Diam. Of Flange	Minimum Flange Thickness	Diam. Of Raised Face	Length Through Hub	Hub Diam. At Base	Diam. Of Hub at Point of Welding	Pressure Tap Hole Size	FLANGE DRILLING TEMPLATE				Jack Screw Size & Length	Approx. Weight (lbs.)
									Diam. Of Bolt Circle	Diam. Of Holes	Number Of Holes	Size and Length of Studs		
	I.D.	O	C*		Y*		A	T						
1/2"	.622 ± .002	3 3/4	1 1/2	1 3/8	3	1 1/2	0.84	1/4	2 5/8	9/16	4	1/2 x 4 3/4	1/2 x 3	10
3/4"	.824 ± .002	4 5/8	1 1/2	1 11/16	3 1/8	1 7/8	1.05	1/4	3 1/4	11/16	4	5/8 x 5	1/2 x 3	10
1	1.049 ± .003	4 7/8	1 1/2	2	3 1/4	2 1/8	1.32	1/4	3 1/2	11/16	4	5/8 x 5	5/8 x 3	18
1 1/2"	1.610 ± .003	6 1/8	1 1/2	2 7/8	3 3/8	2 3/4	1.90	1/4	4 1/2	13/16	4	3/4 x 5 1/4	5/8 x 3	25
2	2.067 ± .003	6 1/2	1 1/2	3 5/8	3 3/8	3 5/16	2.38	3/8	5	13/16	8	5/8 x 5	5/8 x 3	27
2 1/2"	2.469 ± .003	7 1/2	1 1/2	4 1/8	3 1/2	3 15/16	2.88	3/8	5 7/8	13/16	8	3/4 x 5 1/4	5/8 x 3	35
3	3.068 ± .003	8 1/4	1 1/2	5	3 1/2	4 5/8	3.50	3/8	6 5/8	7/8	8	3/4 x 5 1/4	3/4 x 3	43
4	4.026 ± .004	10	1 1/2	6 3/16	3 5/8	5 3/4	4.50	1/2	7 7/8	1	8	3/4 x 5 1/4	3/4 x 3	66
6	6.065 ± .004	12 1/2	1 1/2	8 1/2	3 15/16	8 1/8	6.63	1/2	10 5/8	1 1/8	12	3/4 x 5 1/4	3/4 x 3	106
8	I.D. ± .004	15	1 5/8	10 5/8	4 3/8	10 1/4	8.63	1/2	13	1 1/4	12	7/8 x 5 3/4	3/4 x 3	152
10	I.D. ± .005	17 1/2	1 7/8	12 3/4	4 5/8	12 5/8	10.75	1/2	15 1/4	1 1/4	16	1 x 6 1/2	1 x 4 1/2	216
12	I.D. ± .005	20 1/2	2	15	5 1/8	14 3/4	12.75	1/2	17 3/4	1 3/8	16	1 1/8 x 7	1 x 4 1/2	327
14	I.D. ± .005	23	2 1/8	16 1/4	5 5/8	16 3/4	14.00	1/2	20 1/4	1 3/8	20	1 1/8 x 7 1/2	1 x 4 1/2	448
16	I.D. ± .005	25 1/2	2 1/4	18 1/2	5 3/4	19	16.00	1/2	22 1/2	1 3/8	20	1 1/4 x 8	1 x 4 1/2	596
18	I.D. ± .007	28	2 3/8	21	6 1/4	21	18.00	1/2	24 3/4	1 3/8	24	1 1/4 x 8 1/4	1 x 4 1/2	741
20	I.D. ± .007	30 1/2	2 1/2	23	6 3/8	23 1/8	20.00	1/2	27	1 3/8	24	1 1/4 x 8 1/2	1 x 4 1/2	887
24	I.D. ± .007	36	2 3/4	27 1/4	6 5/8	27 5/8	24.00	1/2	32	1 5/8	24	1 1/2 x 9 1/2	1 x 5 1/2	1311

	Parts	Material
1	Orifice Plates	316 SS Alloy 20 Monel Hastelloy C
2	Gaskets	Non-Asbestos Flexitallic TFE
3	Flanges	A-105 316 SS Alloy 20 Monel Hastelloy C
4	Jack Screws	CS - ASTM C-1038 SS - 316SS
5	Pipe Plugs	CS - ASTM A-105 SS - 316SS
6	Studs	CS - ASTM A-193; Grade B7 SS - ASTM A-320; Grade B8M
7	Nuts	CS - ASTM A-194; Grade 2H SS - ASTM A-194; Grade 8M

