



*Alloy Valves and Control*

## GLOBE VALVE FIG. 2226



**Size:**

1/2" - 2"  
200 PSI

**End Connections:**

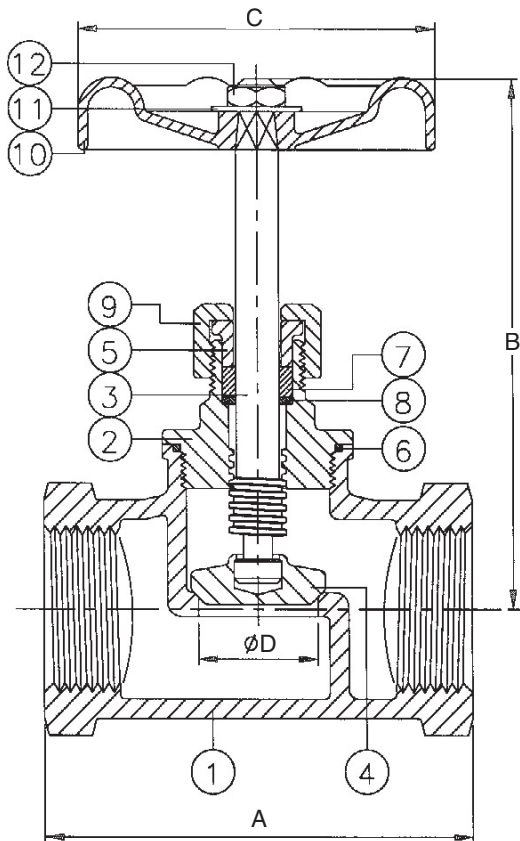
NPT  
Socket Weld

**Valve Materials**

316 Stainless Steel

**Service Applications:**

Hydraulic	Chemical
Steam	Oil/Gas
Oxygen	Food Processing
Vacuum	Dry/Liquid Chlorine
Thermal Fluids	



**Features**  
 Inside screw and screwed bonnet, swivel plug, integral seats, non-rising stem and hand wheel. Type 316 stainless.

Item	Parts	Material
1	Body	ASTM A351-CF8M
2	Bonnet	ASTM A351-CF8M
3	Stem	AISI 316
4	Disc	AISI 316
5	Gland Ring	AISI 304
6	Gasket	PTFE
7	Packing	PTFE
8	Washer	AISI 316
9	Gland Nut	ASTM A351-CF8M
10	Handle Wheel	SS 400
10	Name Plate	Aluminum
12	Nut	AISI 304

Size	1/2"	3/4"	1"	1-1/4"	#	#	\$	\$
A	2.60	2.70	3.08	3.39		3.86		4.35
B	3.52	3.51	3.64	4.65		4.61		5.59
C	2.76	2.76	3.01	4.07		4.07		4.76
D	0.47	0.59	0.79	0.98		1.30		1.57

HOW TO ORDER				
1"	2	2	2	3
Size	Series	Pressure Rating	End Connection	Body Material
1/2" 3/4" 1" 1-1/4" 1-1/2" 2"	2-GlobeValve	2-200 psi	2-FNPT	316 SS

Distributed by: