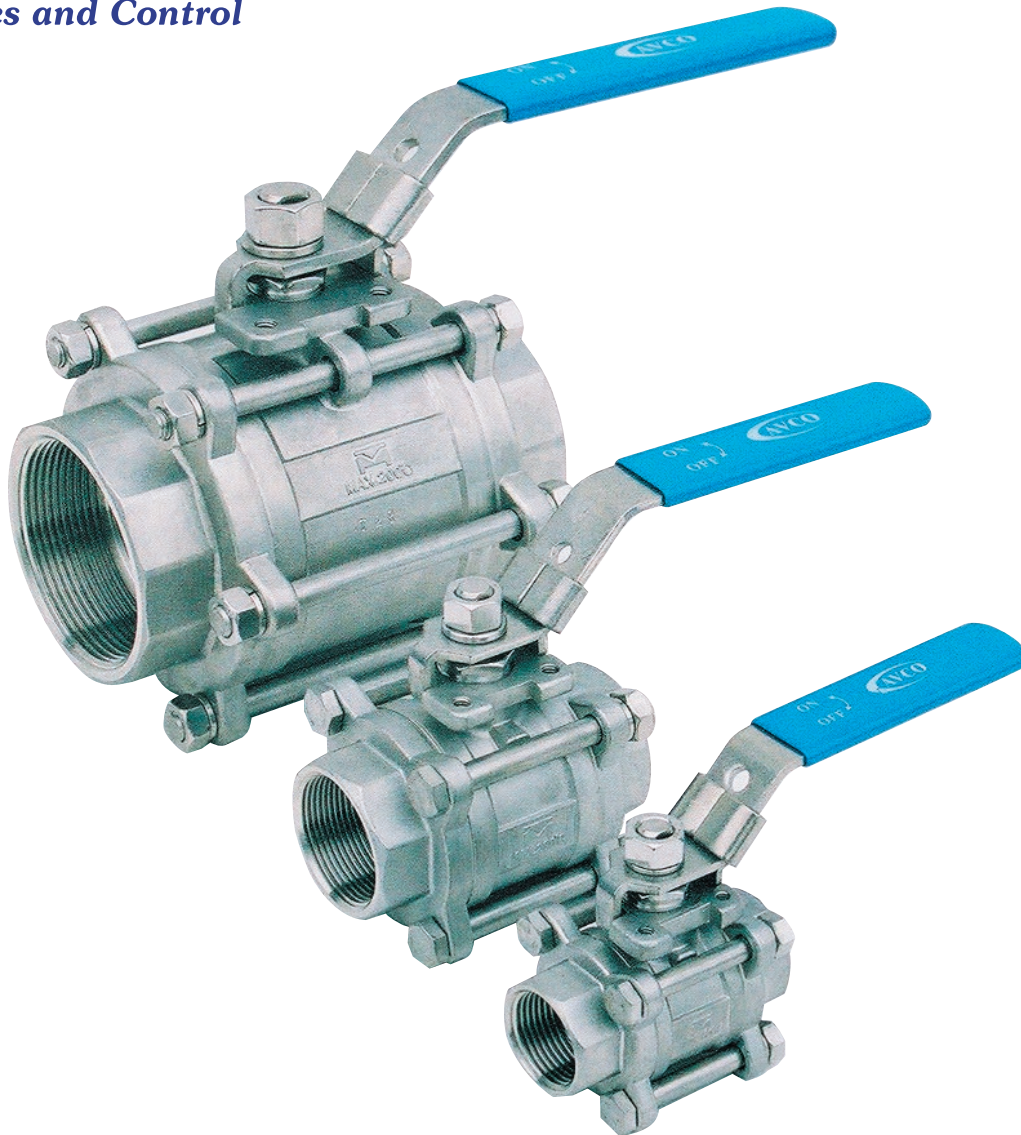


# AVCO

*Alloy Valves and Control*

## BALL VALVES 500 SERIES



**Size:**  
1/4" - 4" Full Port  
1000 WOG

**End Connections:**  
NPT

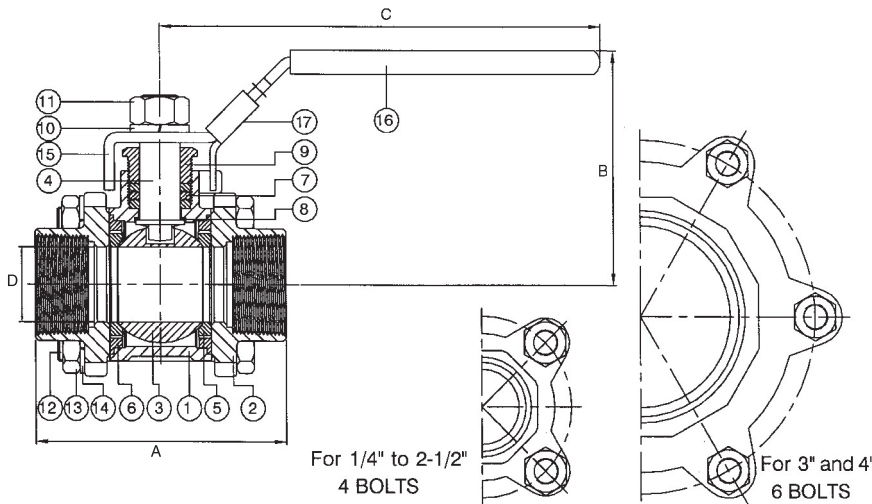
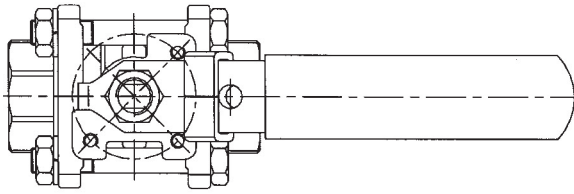
**Valve Materials:**  
316 Stainless Steel

**Ball and Stem Materials:**  
316 Stainless Steel

**Seat Materials:**  
RTFE

**Service Applications:**  
Hydraulic  
Steam  
Oxygen  
Vacuum  
Thermal Fluids  
Chemical  
Oil/Gas  
Food Processing  
Dry/ Liquid Chlorine

## Alloy Valves and Control



### Features

- The NPT ends conform to ASME
- Investment Casting
- Blow-out Proof Stem
- Full Bore 1000 WOG
- RTFE Seats
- TFE Seal and Packing
- Latch Lock Handle
- Mounting Pad Tapped

	Parts	Material
1	Body	316 SS
2	End Cap	316 SS
3	Ball	316 SS
4	Stem	316 SS
5	Seat	RTFE
6	Gasket	TFE
7	Packing	TFE
8	Thrust Washer	TFE
9	Gland Nut	SS
10	Spring Washer	SS
11	Stem Nut	SS
12	Bolt	SS
13	Nut	SS
14	Spring Washer	SS
15	Handle	SS
16	Handle Sleeve	Vinyl
17	Locking Device	SS

SIZE	A	B	C	D	WEIGHT/LB	TORQUE IN/LB	CV
1/4"	2.56	2.36	3.94	0.46	0.9	35	6.6
3/8"	2.56	2.36	3.94	0.49	0.9	35	7.9
1/2"	2.56	2.44	3.94	0.59	1.3	47	11.2
3/4"	2.95	2.44	4.92	0.79	1.7	65	21
1"	3.35	3.15	5.87	0.98	2.4	90	34
1-1/4"	3.98	3.35	5.87	0.91	4.1	118	57
1-1/2"	4.41	3.94	7.48	1.50	5.7	157	80
2"	5.12	4.25	7.48	1.97	8.7	217	148
2-1/2"	6.38	5.35	9.84	2.48	17.8	416	265
3"	7.40	5.75	9.84	2.99	29.4	651	415
4"	8.82	7.17	12.72	3.78	54.1	955	780

### HOW TO ORDER

1"	5	3	3	R	T	SE
Size	Series	Body & End Material	Ball & Stem	Seat	Seal	End
1/4"-4"	500 Series 3 Piece Full Port	3-316SS	3-316SS	R-RTFE	T-Teflon	SE-FNPT

Distributed by:

Copyright © 2003 Alloy Valves and Control, Inc. All rights reserved. No part of this brochure may be used or reproduced in any manner whatsoever without written permission of AVCO.

This brochure is general in nature and manufacturer reserves the right to alter dimensions, materials or make design improvements