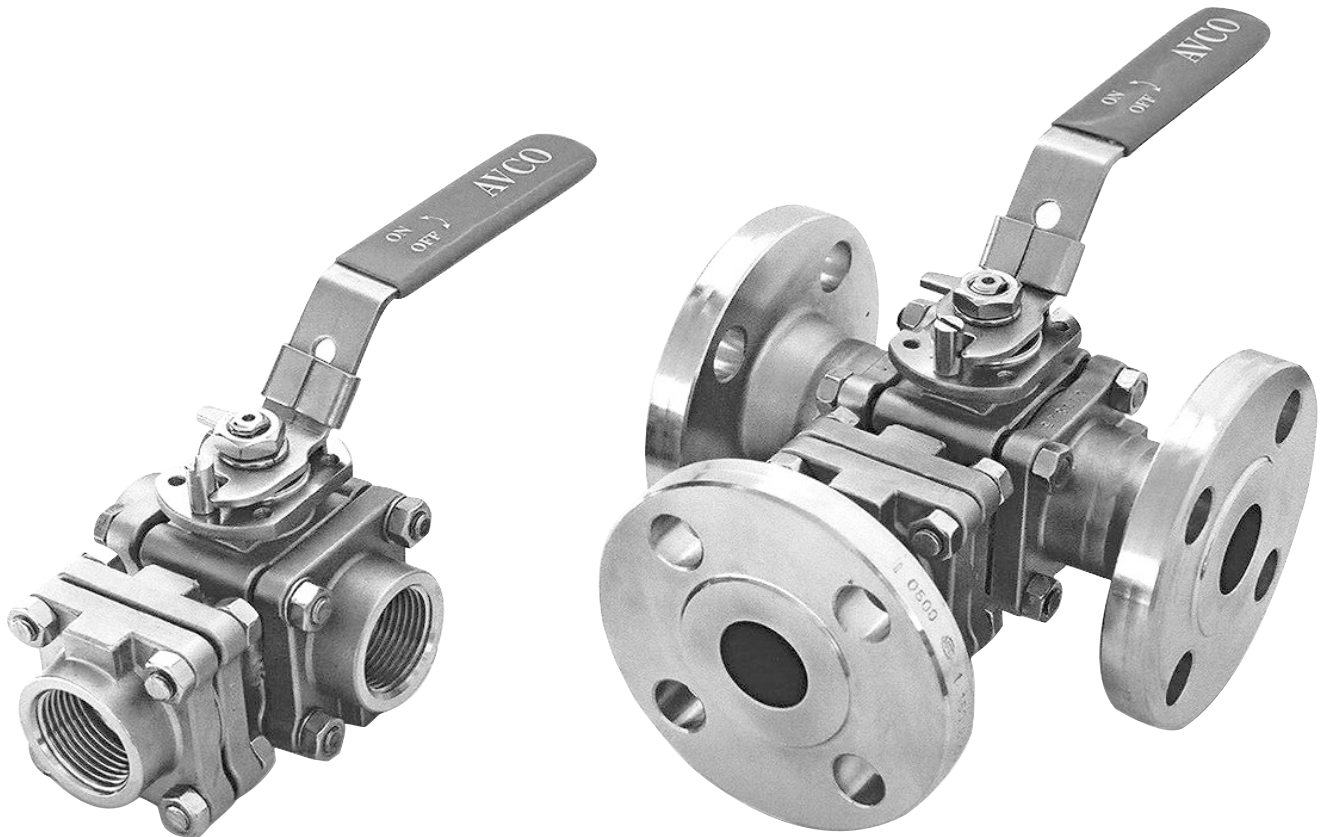




Alloy Valves and Control

BALL VALVES 1800 SERIES



Size:

1/2" - 2"
2000 WOG

End Connections:

NPT
Butt Weld
Socket Weld
Flange, 150, 300, 600

Valve Materials

316 Stainless Steel
Carbon Steel

Ball and Stem Materials:

316 Stainless Steel

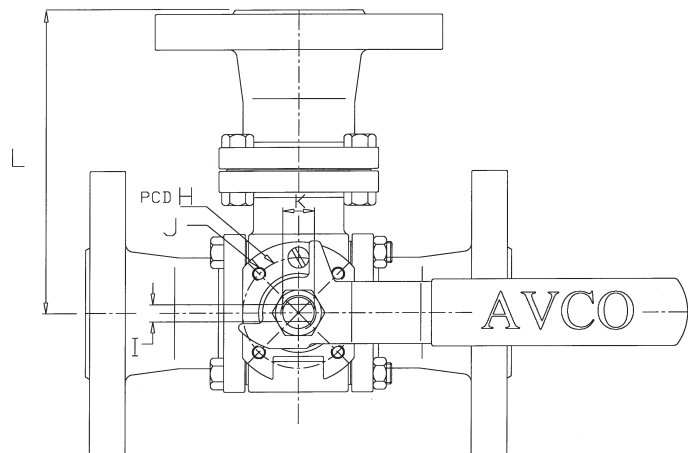
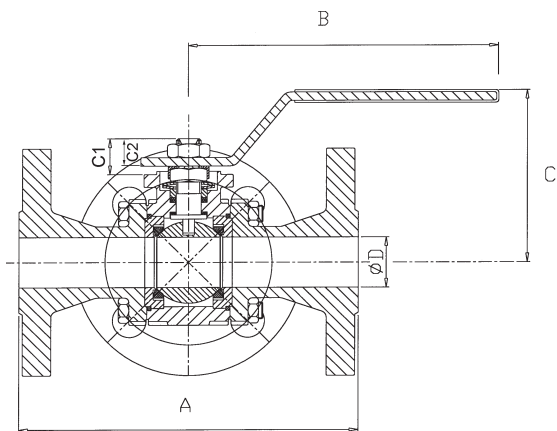
Service Applications:

Hydraulic	Chemical
Steam	Oil/Gas
Oxygen	Food Processing
Vacuum	Dry/Liquid Chlorine
Thermal Fluids	

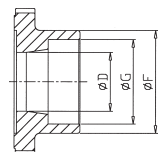
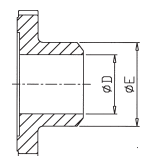
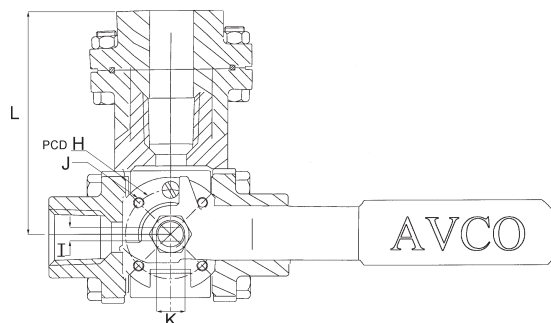
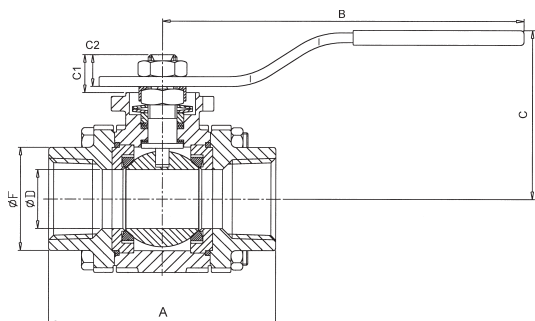
Seat Materials:

Teflon
Reinforced Teflon
TFE-25% Carbon/Graphite
PEEK
UHMWPE
Metal

Alloy Valves and Control



Flanged	A	B	C	C1	C2	D	D1	H	I	J	K	L	ISO5211	LBS
1/4-3/8" - 1/2"	5.50	4.50	2.19	0.48	0.34	0.45	0.43	1.42	0.22	M5	3/8"24UNF	4.45	F03	7.50
3/4"	6.00	4.50	2.28	0.55	0.39	0.70	0.69	1.42	0.22	M5	3/8"24UNF	4.50	F03	8.50
1"	6.50	5.75	2.63	0.60	0.56	0.90	0.90	1.65	0.30	M5	7/16"24UNF	4.60	F04	14.00
1 1/4"	7.50	5.75	2.80	0.61	0.56	1.15	1.15	1.65	0.30	M5	7/16"24UNF	5.51	F04	16.00
1 1/2"	7.50	7.00	3.23	1.07	0.73	1.35	1.40	1.97	0.34	M6	9/16"24UNF	5.59	F05	22.50
2"	8.00	7.00	3.58	1.17	0.78	1.80	1.85	1.97	0.34	M6	9/16"24UNF	6.10	F05	35.00

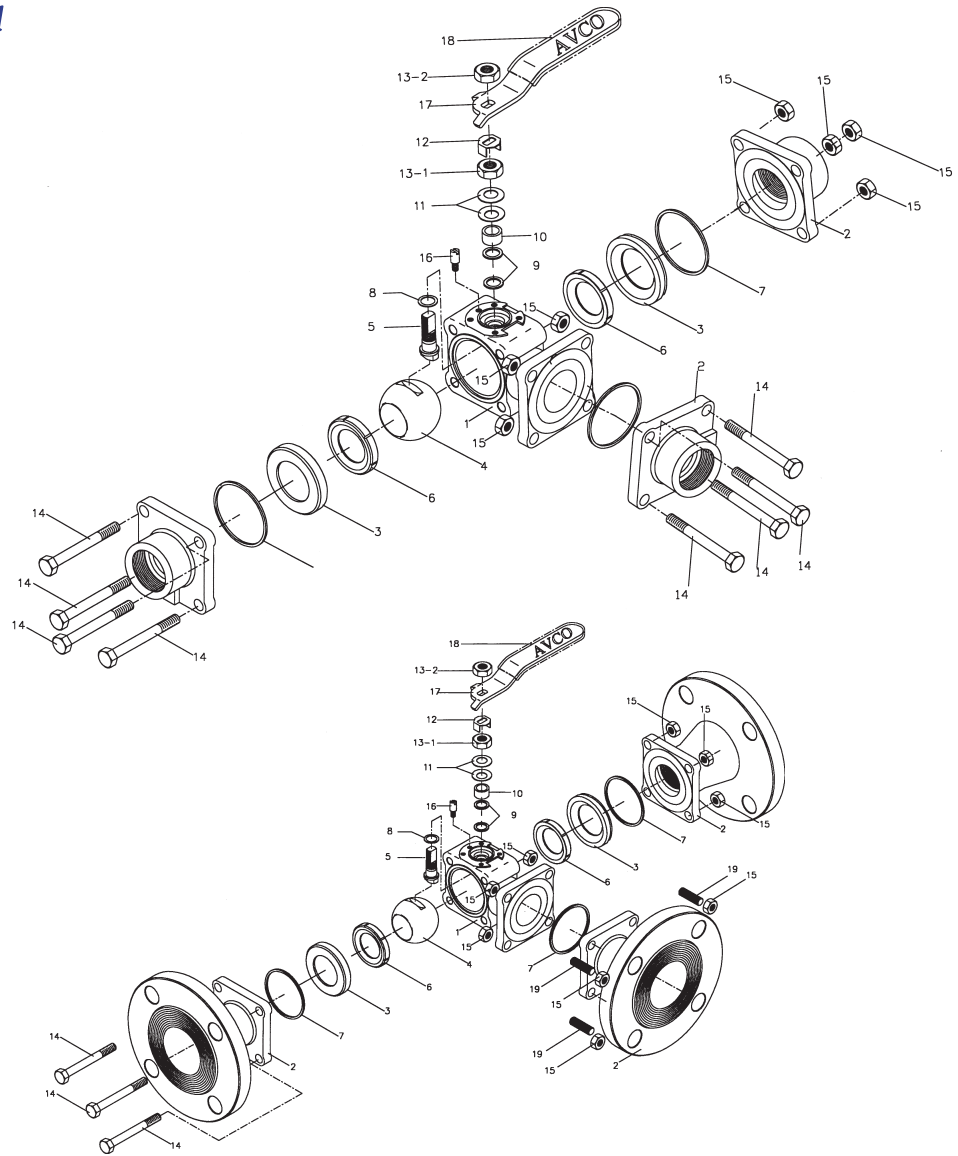


NPS	A	B	C	C1	C2	D	D1	E	F	G	H	I	J	K	L	ISO5211	LBS
1/4" - 3/8" - 1/2"	2.95	4.50	2.19	0.48	0.34	0.45	0.43	0.87	1.10	0.90	1.42	0.22	M5	3/8" - 24UNF	2.75	F03	1.50
3/4"	3.15	4.50	2.28	0.55	0.39	0.70	0.69	1.10	1.38	1.10	1.42	0.22	M5	3/8" - 24UNF	2.75	F03	2.50
1"	3.66	5.75	2.63	0.60	0.56	0.90	0.90	1.34	1.77	1.40	1.65	0.30	M5	7/16"24UNF	3.45	F04	5.00
1 1/4"	4.33	4.75	2.80	0.61	0.56	1.15	1.15	1.61	2.13	1.70	1.65	0.30	M5	7/16"24UNF	4.15	F04	8.00
1 1/2"	4.72	7.00	3.23	1.07	0.73	1.35	1.40	1.93	2.44	1.90	1.97	0.34	M6	9/16"24UNF	4.15	F05	10.50
2"	5.51	7.00	3.58	1.10	0.78	1.80	1.85	2.40	2.99	2.40	1.97	0.34	M6	9/16"UNF	4.50	F05	17.00

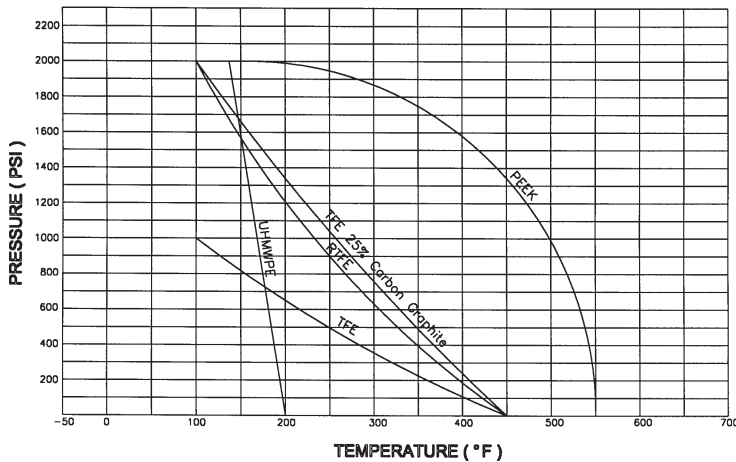
Alloy Valves and Control

Features

- 1/4" - 2"
- 2000 WOG
- Side Entry
- 90° and 180° Rotation
- Carbon Steel
- Stainless Steel
- NPT
- B.W, S.W.
- 150#, 300#, 600# Flanged



**2000 WOG
PRESSURE TEMPERATURE
RATING**

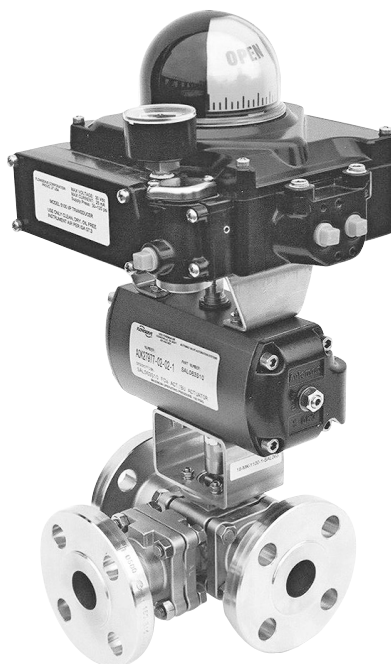


Parts \ Material	Stainless Steel	Carbon Steel
1 Body	ASTM A351-CF8M	ATSM A216-WCB
2 Cap		
3 Retainer		ASTM A351-CF8M
4 Ball	ASTM A276-316	ASTM A276-316
5 Stem	PTFE	PTFE
6 Ball Seat	PTFE	PTFE
7 Gasket	TFE 25% Carbon	TFE 25% Carbon
8 Thrust Washer	AISI 304	AISI 304
9 Packing	AISI 301	AISI 301
10 Gland Ring	ASTM A167-304	ASTM A167-304
11 Disc Spring	ASTM A194 GR. 8	ASTM A194 GR. 8
12 Lock Pad	ASTM A193-B8	ASTM A193-B7
13 Stem Nut		
14 Bolt	AISI 304	AISI 304
15 Nut	ASTM A167-304	ASTM A167-304
16 Stop Pin	PVC	PVC
17 Handle		
18 Handle Sleeve		



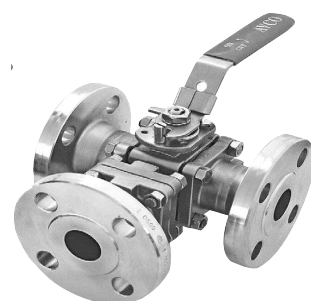
Electric Actuator

- 120 VAC
- 12/24 VDC
- NEMA 4/7
- Positioners 4-20 MA
- Reversing
- Telemetry
- Battery Back-up



Pneumatic Actuators

- Double Acting
- Spring Return
- Solenoid Valves
- Limit Switches
- Positioners 3-15 PSI
- Positioners 4-20 mA
- Intelligent Positioner
- Declutchable Manual Override



Manual Valves

- Oval Handle
- Spring Return
- Stem Extensions
- Fusible Link
- Locking Device
- Gear Operators
- Wing Handle

HOW TO ORDER

Size	Series	Body & End Material	Ball & Stem	Seat	Seal	End
1/4"	1800 Series	1-Carbon Steel	1-	T-TFE	T-TFE	SE-NPT
3/8"	3 Piece	2-	2-	R-RTFE	C-TFE-25%	SW-Socket Weld
1/2"	Diverter	3-316SS	3-316SS	C-TFE-25%	Carbon Graphite	BW-Butt Weld
3/4"	Ball Valve	4-	4-	Carbon Graphite	G-Graphoil	150#-150# Flange
1"	Side Entry	5-	5-	P-PEEK		300-300# Flange
1 1/4"		6-	6-	U-UHWMPE		600-600# Flange
1 1/2"			7-	B-Metal-Bronze		
2"			8-	S-Metal-Stellite		
			9-	I-Metal Inconel		
				K-Kel-F		

Distributed by: