



Alloy Valves and Control

BALL VALVES 1100 SERIES



Size:

1/4" - 4" Full Port
2000 WOG
3000 WOG Option

End Conections:

NPT
Butt Weld
Socket Weld
Flange-150, 300, 600

Valve Materials:

316 Stainless Steel
Carbon Steel
Hastelloy C

Ball and Stem Materials:

316 Stainless Steel
Hastelloy B & C
Monel
Alloy 20

Service Applications:

Hydraulic Chemical
Steam Oil/Gas
Oxygen Food Processing
Vacuum Dry/Liquid Chlorine
Thermal Fluids

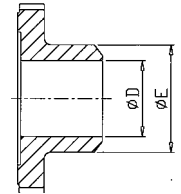
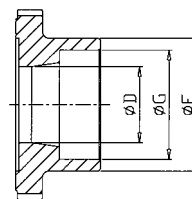
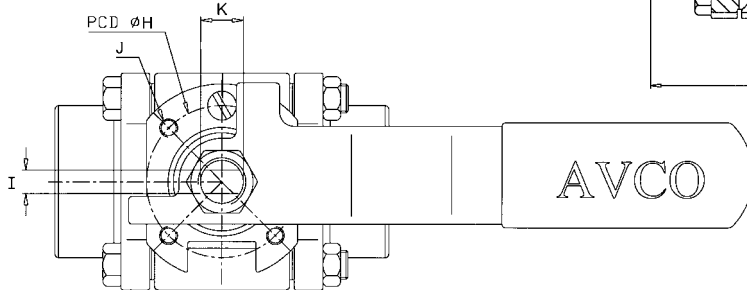
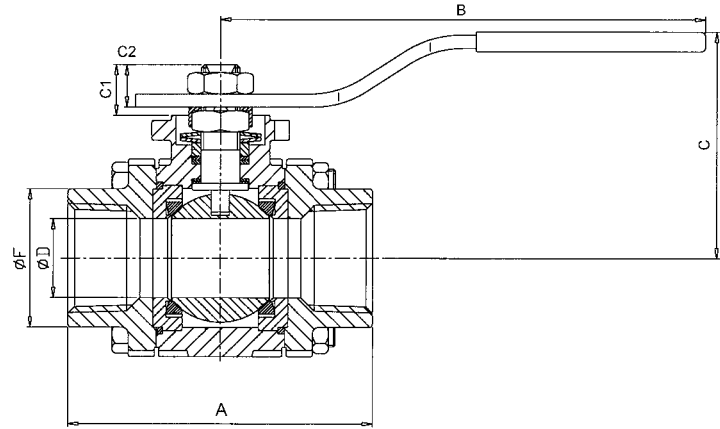
Seat Materials:

TFE
RTFE
CTFE
PEEK
UHMWPE
PCTFE
Metals

Alloy Valves and Control

APPLICABLE STANDARD

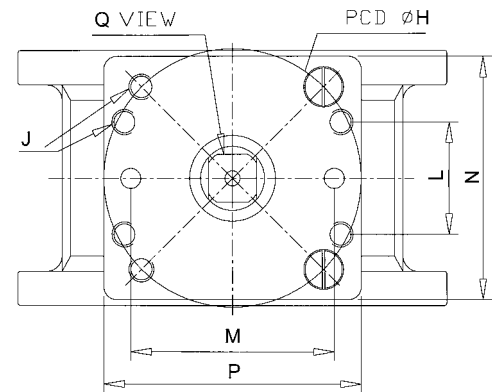
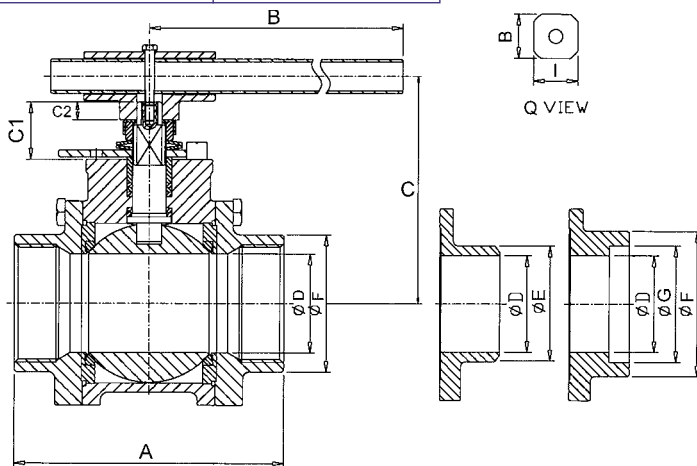
Wall Thickness	AISI B16.34
Inspection and Testing	API 598



NPS	A	B	C	C1	C2	D	E	F	G	H	I	J	K	ISO 5211	lbs.	Cv
1/4-3/8-1/2"	2.95	4.50	2.19	0.48	.335	0.50	0.87	1.10	0.87	1.42	0.22	M5	3/8"-24UNF	F03	2	5
3/4"	3.15	4.50	2.28	0.55	.385	0.75	1.10	1.38	1.08	1.42	0.22	M5	3/8"-24UNF	F03	2.5	21
1"	3.66	5.75	2.63	0.60	.555	1.00	1.34	1.77	1.36	1.65	0.30	M5	7/16"-20UNF	F04	4	44
1 1/4"	4.33	5.75	2.80	0.61	.555	1.18	1.61	2.13	1.69	1.65	0.30	M5	7/16"-20UNF	F04	6	64
1 1/2"	4.72	7.00	3.23	1.07	.725	1.50	1.93	2.44	1.93	1.97	0.34	M6	9/16"-18UNF	F05	8	87
2"	5.51	7.00	3.58	1.10	.777	2.00	2.40	2.99	2.41	1.97	0.34	M6	9/16"-18UNF	F05	14	210

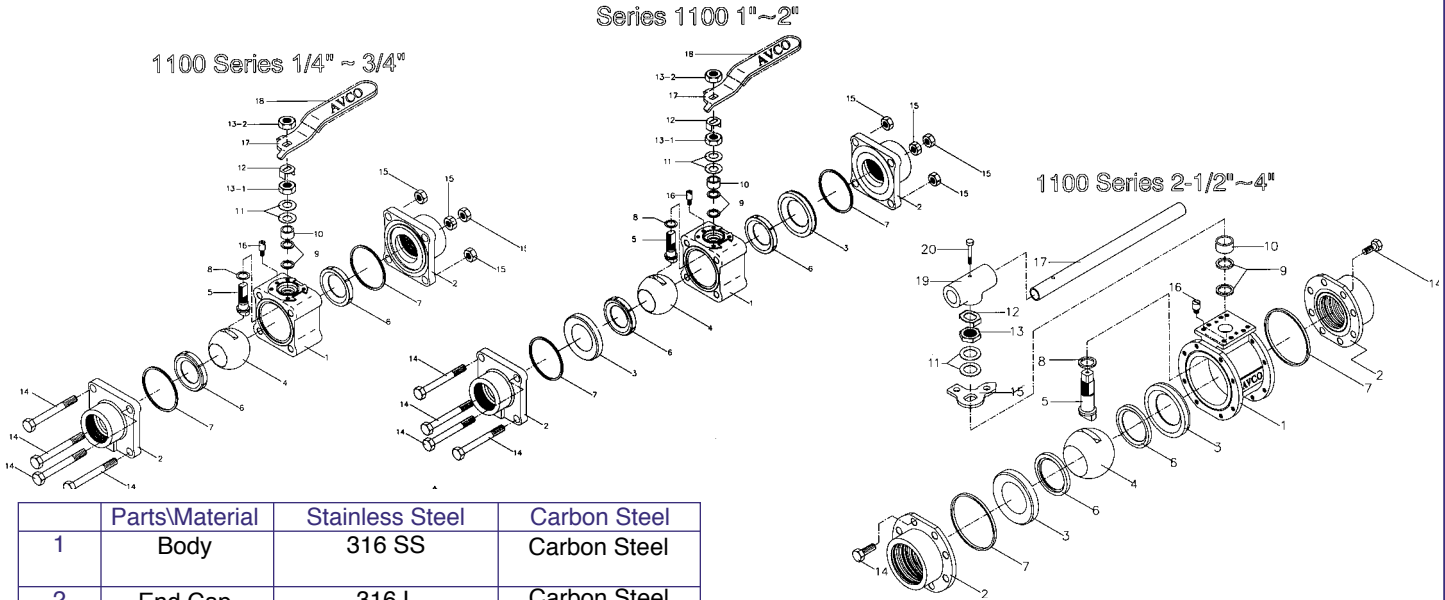
APPLICABLE STANDARD

Wall Thickness	AISI B16.34
Inspection and Testing	API 598



NPS	A	B	C	C1	C2	D	E	F	G	H	I	J	K	L	M	N	P	ISO/DIN	lbs.	Cv
2-1/2"	7.25	8.84	5.24	1.65	.575	2.50	2.91	3.62	2.91	2.78	0.55	M10	M20*2.5	1.26	2.52	2.76	3.35	F10	22	277
3"	8.03	13.74	6.6	1.81	.575	3.00	3.54	4.09	3.54	4.02	0.75	M10	1"-14UNF	1.75	3.17	3.78	4.02	F10	35	482
4"	9.45	13.74	7.14	1.83	.575	4.00	4.53	5.67	4.55	4.02	0.75	M10	1"-14UNF	1.75	3.17	3.78	4.02	F10	55	1001

Alloy Valves and Control

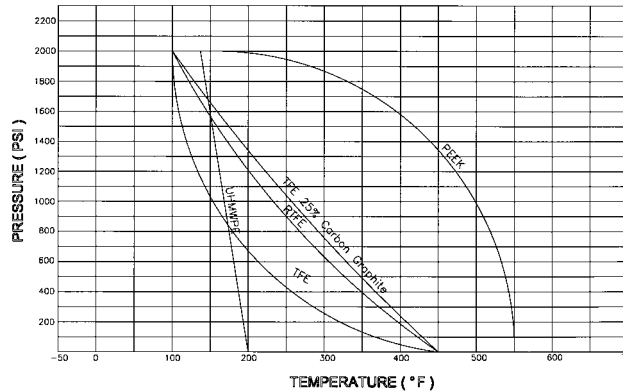


Parts\Material	Stainless Steel	Carbon Steel
1 Body	316 SS	Carbon Steel
2 End Cap	316 L	Carbon Steel
3 Retainer	316 SS	Carbon Steel
4 Ball	316 SS	316 SS
5 Stem	316 SS	316 SS
6 Ball Seat	TFE RTFE CTFE PEEK UHMWPE PCTFE Metal/BRONZE Metal/STELLITE Metal/INCONEL	TFE RTFE CTFE PEEK UHMWPE PCTFE Metal/BRONZE Metal/STELLITE Metal/INCONEL
7 Body Seal	TFE CTFE GRAPHOIL BUNA N EPDM VITON NEOPRENE	TFE CTFE GRAPHOIL BUNA N EPDM VITON NEOPRENE
8 Thrust Washer	CTFE PEEK	CTFE PEEK
9 Packing	CTFE GRAPHOIL	CTFE GRAPHOIL
10 Gland Ring	304 SS	304 SS
11 Disc Spring	304 SS	304 SS
12 Lock Tab	304 SS	304 SS
13 Stem Nut	304 SS	304 SS
14 Bolt	Carbon Steel	Carbon Steel
15 Nut	304 SS	Carbon Steel
16 Stop Pin	304 SS	304 SS
17 Handle	304 SS	304 SS
18 Handle Sleeve	Vinyl	Vinyl
19 Wrench Block	304 SS	304 SS
20 Hex Head Bolt	304 SS	Carbon Steel

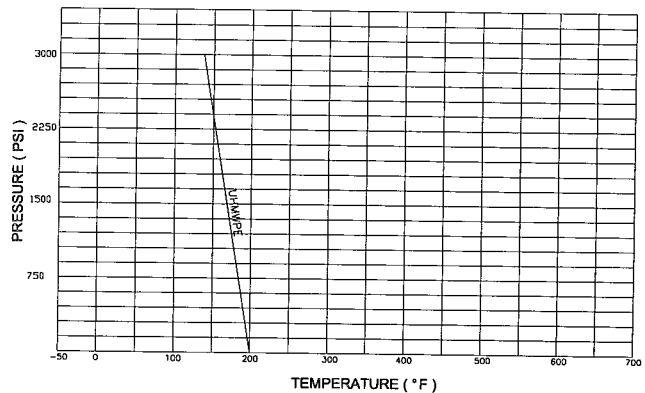
Features

- 1/4" - 4"
- 2000 WOG
- Encapsulated Seats
- Encapsulated Body Seals
- Spring Loaded Stem Packing
- Bottom Entry Stem
- ANSI Class 600
- End Caps 316LSS
- ISO Mounting Pad

2000 WOG PRESSURE TEMPERATURE RATING



3000 WOG PRESSURE TEMPERATURE RATING





Alloy Valves and Control

1100 SERIES



Electric Actuator

- 120 VAC
- 12/24 VDC
- NEMA 4/7
- Positioners 4-20 MA
- Reversing
- Telemetry
- Battery Back-up



Pneumatic Actuators

- Double Acting
- Spring Return
- Solenoid Valves
- Limit Switches
- Positioners 3-15 PSI
- Positioners 4-20 mA
- Intelligent Positioner
- Declutchable Manual Override



Manual Valves

- Oval Handle
- Spring Return
- Stem Extensions
- Fusible Link
- Locking Device
- Gear Operators
- Wing Handle

HOW TO ORDER

1"	11	3	3	T	T	SE
Size	Series	Body & End Material	Ball & Stem	Seat	Seal	End
1/4" 3/8" 1/2" 3/4" 1" 1 1/4" 1 1/2" 2" 3" 4"	1100 Series 3 Piece Ball Valve Full Port	1-Carbon Steel 2-Alloy 20 3-316SS 4-Monel 5-Hastelloy B 6-Hastelloy C 7-Inconel 8-Titanium 9-Aluminum	1- 2-Alloy 20 3-316SS 4-Monel 5-Hastelloy B 6-Hastelloy C 7-Inconel 8-Titanium 9-Aluminum	T-TFE R-RTFE C-CTFE P-PEEK U-UHWMPE B-Metal-Bronze S-Metal-Stellite I-Metal Inconel K-PCTFE	T-TFE C-CTFE G-Graphoil B-BUNA N E-EPDM V-VITON N-NEOPRENE	SE-NPT SW-Socket Weld BW-Butt Weld 150#-150# Flange 300-300# Flange 600-600# Flange

Distributed by:

Copyright © 2003 Alloy Valves and Control, Inc. All rights reserved. No part of this brochure may be used or reproduced in any manner whatsoever without written permission of AVCO.

This brochure is general in nature and manufacturer reserves the right to alter dimensions, materials or make design improvements

3087 S. Harbor Blvd, Santa Ana, CA 92704 Tel (714) 427-0877 Fax (714) 427-6392 Web-site: www.avcovalve.com