



*Alloy Valves and Control*

# BALL VALVES 200 SERIES



**Size:**

1/4" - 3" Full Port  
2000 WOG

**End Connections:**

NPT

**Valve Materials**

316 Stainless Steel

**Ball and Stem Materials:**

316 Stainless Steel

**Service Applications:**

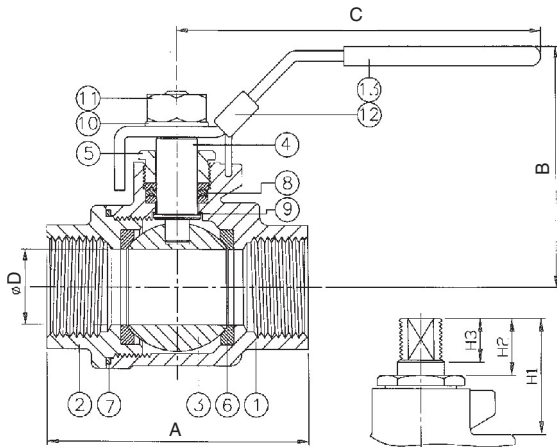
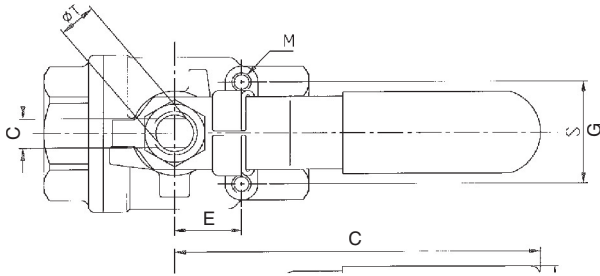
Hydraulic	Chemical
Steam	Oil/Gas
Oxygen	Food Processing
Vacuum	Dry/Liquid Chlorine
Thermal Fluids	

**Seat Materials:**

Reinforced Teflon

### Features

The thread ends conform to ASME B1.20.1(NPT)  
 Investment Casting  
 Blow-out proof stem  
 Full bore 2000/1000 W.O.G.  
 RTFE Seats  
 PTFE Seal & Packing  
 Latch Lock Handle  
 Mounting Pad Tapped



Parts	Material	
1	Body	ASTM A351-CF8M
2	Cap	ASTM A351-CF8M
3	Ball	ASTM A351-CF8M
4	Stem	ASTM A276-316
5	Gland Nut	AISI 304
6	Ball Seat	RTFE
7	Body Seal	PTFE
8	Packing	PTFE
9	Thrust Washer	PTFE
10	Spring Washer	AISI 304
11	Nut	AISI 304
12	Handle	AISI 304
13	Handle Sleeve	PVC

SIZE	A	B	C	D	E	F	G	H <sub>1</sub>	H <sub>2</sub>	H <sub>3</sub>	M	ØT	TORQUE IN/LB	WEIGHT/LB	CV
1/4	2.36	1.97	3.94	0.46	0.55	0.20	1.10	0.98	0.45	0.41	M5	0.31	36	0.57	10
3/8	2.36	1.97	3.94	0.50	0.55	0.20	1.10	0.98	0.45	0.41	M5	0.31	36	0.62	10
1/2	2.56	1.97	3.94	0.59	0.55	0.20	1.10	0.98	0.43	0.41	M5	0.31	39	0.66	12
3/4	3.07	2.36	4.92	0.79	0.87	0.26	1.38	1.24	0.63	0.53	M5	0.37	52	1.21	35
1	3.54	2.76	6.30	0.98	0.87	0.31	1.38	1.50	0.71	0.61	M5	0.43	65	1.85	60
1-1/4	3.94	3.15	6.30	1.26	0.94	0.31	1.50	1.46	0.71	0.61	M6	0.43	78	2.78	100
1-1/2	4.72	3.54	7.48	1.50	0.94	0.35	1.50	1.67	0.77	0.69	M6	0.49	117	4.41	150
2	5.43	3.54	7.48	1.97	0.94	0.35	1.50	1.73	0.81	0.69	M6	0.49	143	6.90	250
2-1/2	6.54	5.71	9.84	2.56	1.38	0.47	2.17	2.30	1.22	1.20	M6	0.72	390	13.20	400
3	7.68	5.71	9.84	3.15	1.38	0.47	2.17	2.30	1.20	1.20	M6	0.72	412	22.30	600

### HOW TO ORDER

1"	2	3	3	R	T	SE
Size	Series	Body & End Material	Ball & Stem	Seat	Seal	End
1/4"-3"	200 Series 2 Piece Full Port	3-316SS	3-316SS	R-RTFE	T-Teflon	SE-FNPT

Distributed by:

Copyright © 2003 Alloy Valves and Control, Inc. All rights reserved. No part of this brochure may be used or reproduced in any manner whatsoever without written permission of AVCO.

This brochure is general in nature and manufacturer reserves the right to alter dimensions, materials or make design improvements