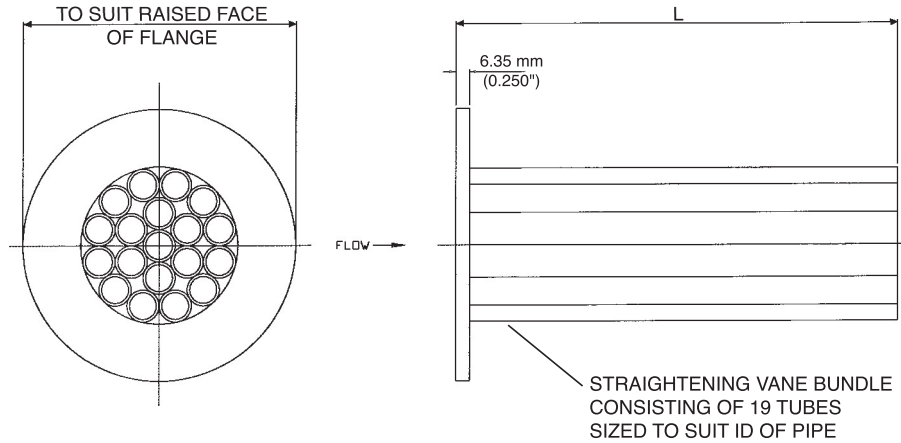


Alloy Valves and Control

STRAIGHTENING VANES



Straightening Vanes are installed in an upstream pipe. The Straightening Vane conditions the flow by removing unwanted swirl. Straightening Vanes can be installed in the line between flanges or held by set screws. AVCO Straightening Vanes are manufactured to the recommendations of AGA & ASME.

Line Size	Bundle Type	Length of Vane _t	Line I.D.	O.D. of Vane	O.D. of Tubes	Wall Thickness of Tubes	Number of Tubes	Line Model	Approximate Weights	
								Number and Size of Screws	Flange Model	Line Model
								Inches	Lbs.	Lbs.
		Inches	Inches	Inches	Inches	Inches		Inches		
		L	B							
2	I	6	2.067	1 31/32	21/32	0.095	7	(1) 3/8 x 1	2 1/2	2
	I	6	1.939	1 7/8*	21/32	0.095	7	(1) 3/8 x 1	2 1/2	2
3	II	8	3.068	2 7/8	19/32	0.049	19	(1) 3/8 x 1	4	3
	II	8	2.900	2 3/4	9/16	0.049	19	(1) 3/8 x 1	4	3
4	II	10	4.026	3 31/32	13/16	0.049	19	(1) 3/8 x 1	7 1/2	6 1/2
	III	10	3.826	3 3/4	3/4	0.049	19	(1) 3/8 x 1 1/4	7 1/2	6 1/2
6	III	12	6.065	5 15/16	1 3/16	0.049	19	(1) 1/2 x 1 1/4	20 1/2	18 1/2
	II	12	5.761	5 5/8	1 5/32	0.049	19	(1) 1/2 x 1 1/4	20 1/2	18 1/2
8	II	16	8.071	7 29/32	1 5/8	0.065	19	(1) 1/2 x 1 1/4	37	34 1/2
	II	16	7.981	7 29/32	1 5/8	0.065	19	(1) 1/2 x 1 1/4	37	34 1/2
10	III	20	10.136	10	2	0.083	19	(1) 1/2 x 1 1/4	57	53 1/2
	II	20	10.020	9 3/4	2	0.083	19	(1) 1/2 x 1 1/4	57	53 1/2
12	III	24	12.090	11 7/8	2 3/8	0.083	19	(2) 1/2 x 1 1/2	81	77
	III	24	12.000	11 7/8	2 3/8	0.083	19	(2) 1/2 x 1 1/2	81	77
	II	24	11.938	11 5/8	2 3/8	0.083	19	(2) 1/2 x 1 1/2	81	77
14	III	28	13.250	13 1/8	2 5/8	0.083	19	(2) 1/2 x 1 1/2	105	100
	II	28	13.000	12 3/4	2 5/8	0.083	19	(2) 1/2 x 1 1/2	105	100
16	III	32	15.250	15	3	0.188	19	(2) 1/2 x 1 3/4	274	268
	II	32	15.500	14 19/32	3	0.188	19	(2) 1/2 x 1 1/2	274	268
18	II	36	17.250	17 1/32	3 1/2	0.188	19	(2) 1/2 x 1 1/4	386	378
20	II	40	19.250	18 27/32	3 7/8	0.188	19	(2) 1/2 x 1 1/4	477	468
24	II	48	23.250	23 1/8	4 3/4	0.188	19	(2) 1/2 x 1 1/4	704	693
26	III	52	25.250	25	5	0.188	19	(2) 1/2 x 1 1/2	814	796
30	III	60	29.250	28 3/4	5 3/4	0.188	19	(2) 1/2 x 1 1/2	1295	1273
34	II	68	33.250	32 13/16	6 3/4	0.250	19	(2) 1/2 x 1 1/2	1880	1860
36	III	72	35.250	35	7	0.188	19	(2) 1/2 x 1 1/2	1582	1559